

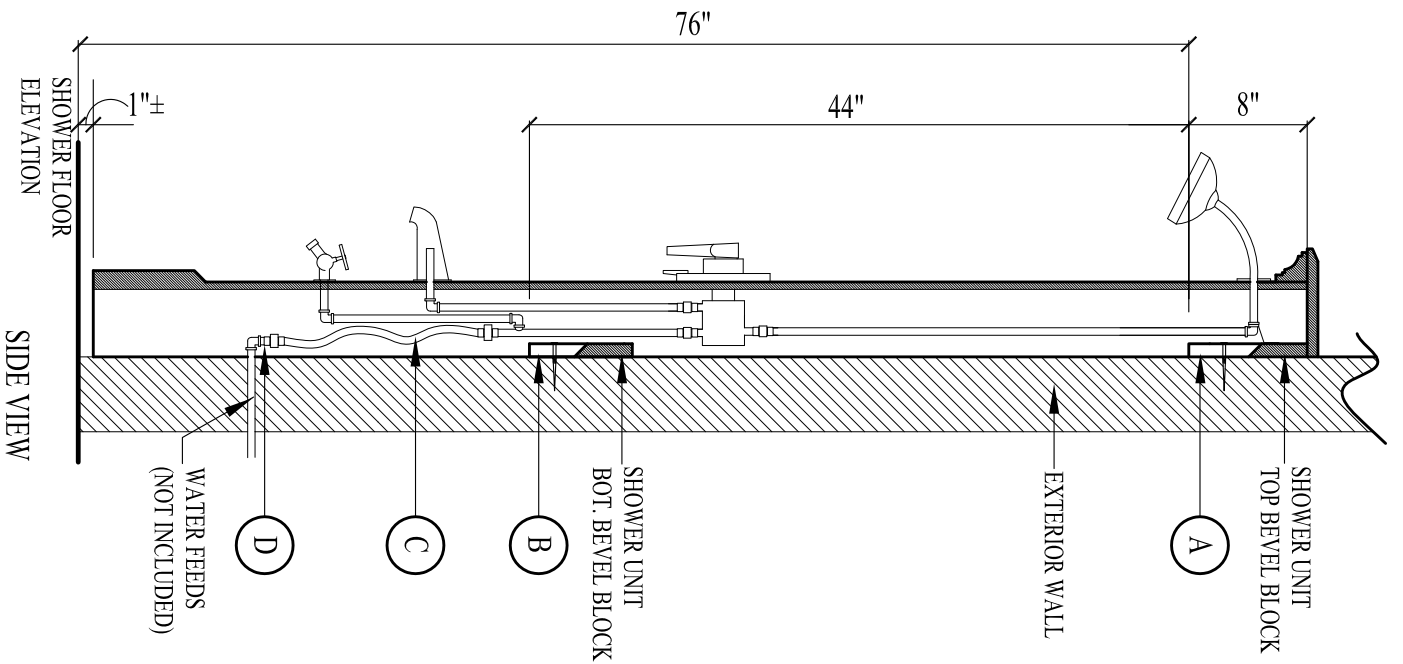
" CHATHAM " AND " WELLFLEET " INSTALLATION INSTRUCTIONS

CONTENTS:

- * (2) - 3" x 1 1/2" BEVEL ATTACHMENT BLOCK
- * (1) - #8 x 1 1/2" STAINLESS STEEL SCREW
- * (8) - #8 x 2" ALL PURPOSE SCREW

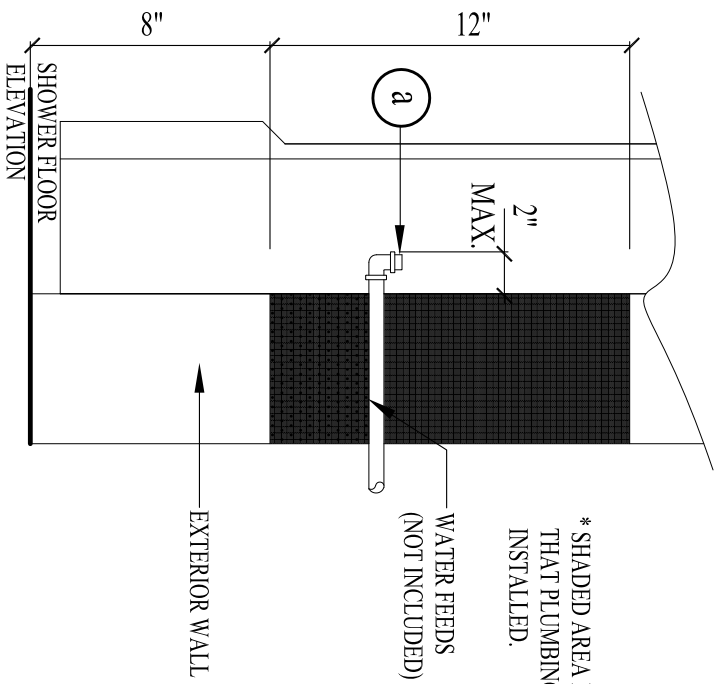
DIRECTIONS:

1. DETERMINE SHOWER FLOOR ELEVATION.
 2. MEASURE 76" FROM SHOWER FLOOR ELEVATION MARK A LEVEL LINE. THIS DETERMINES THE BOTTOM OF BEVEL BLOCK (A)
 - * THIS WILL PLACE THE BOTTOM OF THE SHOWER 1"± SHOWER FINISH FLOOR. 3. LEVEL AND FASTEN BEVEL BLOCK (A) TO EXTERIOR WALL USING (2) - #8 x 2" SCREWS PROVIDED.
 4. MEASURE 44" FROM BOTTOM OF BEVEL BLOCK (A) AND MARK A LEVEL LINE. THIS DETERMINES THE BOTTOM OF BEVEL BLOCK (B)
 5. LEVEL AND FASTEN BEVEL BLOCK (B) TO EXTERIOR WALL USING (2) - #8 x 2" SCREWS PROVIDED.
 - * MAKE SURE THAT BEVEL BLOCK (A) AND (B) ARE IN LINE WITH EACH OTHER, THIS DICTATES WHETHER THE SHOWER IS VERTICALLY STRAIGHT. 6. SLIGHTLY LEAN THE SHOWER TO THE RIGHT OR LEFT OF THE BEVEL BLOCKS, PREVIOUSLY INSTALLED IN STEPS 3 THRU 5.
 7. ATTACHED THE (2) FLEXIBLE HOSES (C) (PROVIDED WITH SHOWER UNIT), TO HOT AND COLD FEEDS (D) RED = HOT WATER, BLUE = COLD WATER
 - * SEE RECOMMENDED PLUMBING LOCATION (SHEET P1)
 - * PIPE DOPE OR TEFLON TAPE NOT REQUIRED.
- STOP DO NOT HANG UNIT YET**
8. TURN ON MAIN WATER FEEDS AND CHECK FOR LEAKS.
 9. PLACE THE SHOWER UNIT ON THE WALL MAKING SURE THAT THE BEVEL BLOCKS FROM THE SHOWER UNIT AND THE (A) AND (B) BLOCKS INTERLOCK.
 10. INSERT (1) #8 x 2" STAINLESS STEEL SCREW (PROVIDED) IN THE PRE DRILLED HOLE, LOCATED AT THE SIDE OF THE BEVEL BLOCK (B)
 11. SET THE HOT WATER LIMIT STOP, MAX. TEMP. 112° RECOMMENDED.
- * SEE DELTA VALVE INSTALLATIONS SUPPLIED
 - * REVIEW LOCAL CODES FOR HOT WATER TEMP.



YOUR SHOWER UNIT IS READY FOR USE

SHEET P1 RECOMMENDED PLUMBING LOCATIONS
CHATHAM AND WELLFLEET MODELS

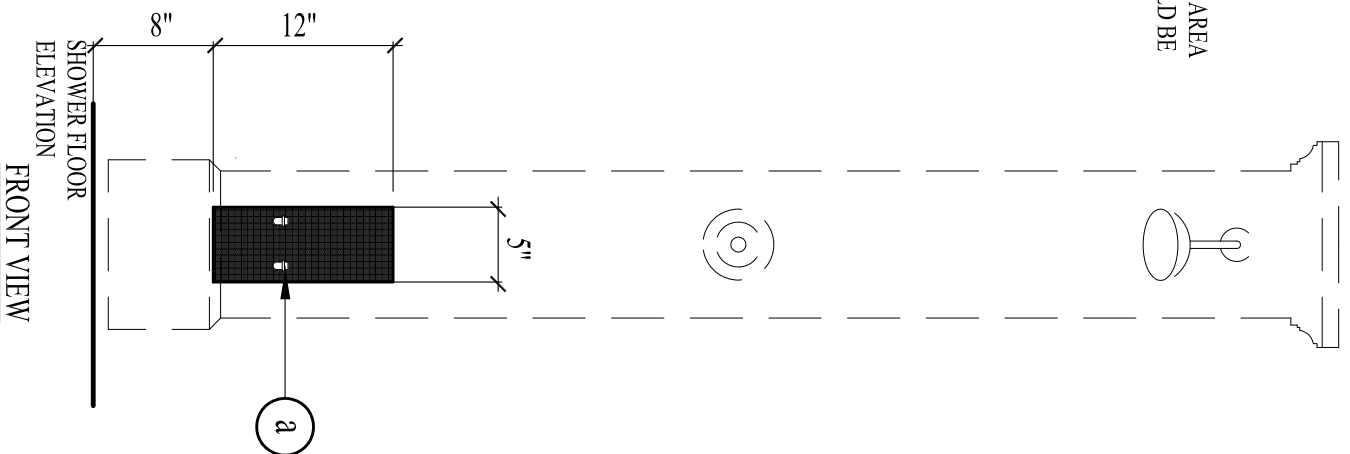


SIDE VIEW

1 1/2" MALE FITTINGS FACING UP

WINTER REMOVAL

1. SHUT - OFF HOT AND COLD WATER FEEDS **1**.
2. REMOVE SCREW **2** LOCATED ON THE RIGHT SIDE OF SHOWER AND SAVE FOR FUTURE REATTACHMENT.
3. WHILE HOLDING ONTO THE LOWER SPOUT AND TOP OF SHOWER UNIT, LIFT UP, THIS WILL RELEASE THE SHOWER UNIT FROM THE BEVEL BLOCKS. LEAN THE SHOWER UNIT TO THE RIGHT OR LEFT OF THE BEVEL BLOCKS.
4. DETACH (2) FLEXIBLE HOSES **3** FROM WATER FEEDS **1**.
5. DRAIN WATER FROM PIPES IF NECESSARY



FRONT VIEW

" HARWICH " INSTALLATION INSTRUCTIONS

CONTENTS:

- * (1) - 3" x 1/2" BEVEL ATTACHMENT BLOCK
- * (8) - #8 x 2" ALL PURPOSE SCREW

DIRECTIONS:

1. DETERMINE DESIRED HEIGHT OF THE SHOWER HEAD FROM THE SHOWER FINISH FLOOR TO SHOWER ARM.
* RECOMMENDED (A) = 84"
2. DEDUCT 8" FROM THIS MEASUREMENT.
EXAMPLE: 84" - 8" = 76"
(A) - 8" = (B)
3. USING MEASUREMENT (B) MARK A LEVEL LINE. THIS DETERMINES THE BOTTOM OF BEVEL BLOCK (C).
4. LEVEL AND FASTEN BEVEL BLOCK (C) TO EXTERIOR WALL USING (2) - #8 x 2" SCREWS PROVIDED
5. PLACE THE SHOWER UNIT ON THE WALL MAKING SURE THAT THE BEVEL BLOCKS FROM THE SHOWER UNIT AND (C) BLOCK INTERLOCK.
6. LEVEL THE SHOWER UNIT (LEFT TO RIGHT)
7. INSERT (1) #8 x 2" SCREW (PROVIDED) IN THE PRE DRILLED HOLE, BLOCK (D).
8. ATTACH HOT AND COLD PLUMBING PIPES (E) TO THE SHOWER UNIT USING THE UNION CONNECTION NUTS (E). DO NOT OVER TIGHTEN.
* TEFLON OR PIPE DOPE NOT REQUIRED
9. TURN ON HOT AND COLD WATER FROM THE MAIN SOURCE AND CHECK FOR LEAKS.
10. SET THE HOT WATER LIMIT STOP, MAX. TEMP, 112° RECOMMENDED.
*SEE DELTA VALVE INSTRUCTION SUPPLIED.
*REVIEW LOCAL CODES FOR HOT WATER TEMP.

YOUR SHOWER UNIT IS READY FOR USE

WINTER REMOVAL

1. SHUT - OFF HOT AND COLD WATER FEEDS TO SHOWER.
2. DETACH UNION NUTS (E) FROM WATER FEEDS (F) UNION NUT (E) REMAINS ON SHOWER UNIT.
3. REMOVE SCREW AT BLOCK (D) AND SAVE FOR FUTURE REATTACHMENT.
4. WHILE HOLDING ONTO THE TOP OF THE SHOWER UNIT, PUSH UP FROM THE BOTTOM OF THE SHOWER UNIT. THIS WILL RELEASE THE SHOWER UNIT FROM THE BEVEL BLOCKS.
5. DRAIN WATER FROM PIPES (F) IF NECESSARY.

